



ARISTON

## SPARE PARTS EXPLODED VIEW GAS-WALL CONDENSING BOILERS

Model

### ALTEAS ONE - GENUS ONE

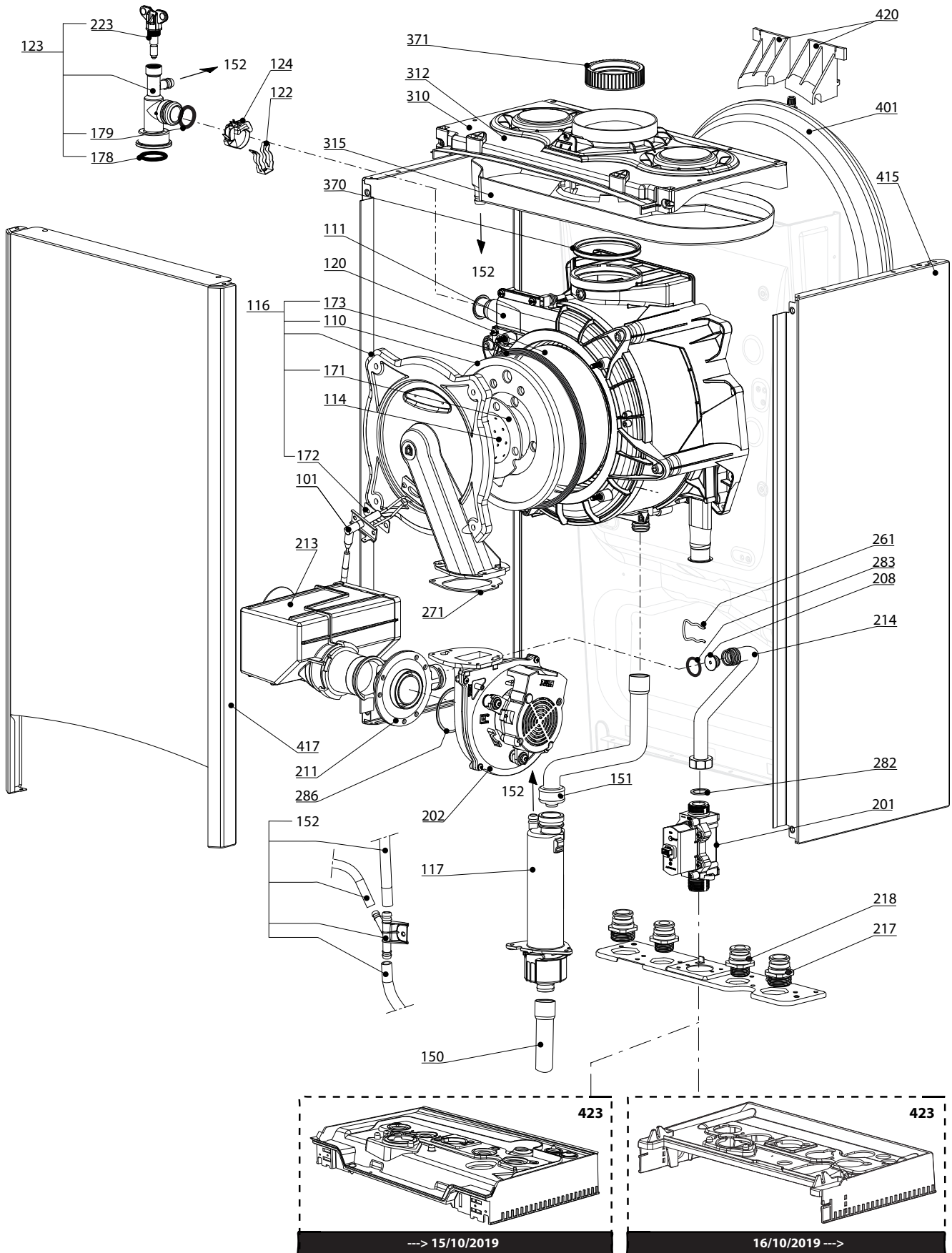
R8203485-12 - 15/12/2021

ALTEAS ONE - GENUS ONE

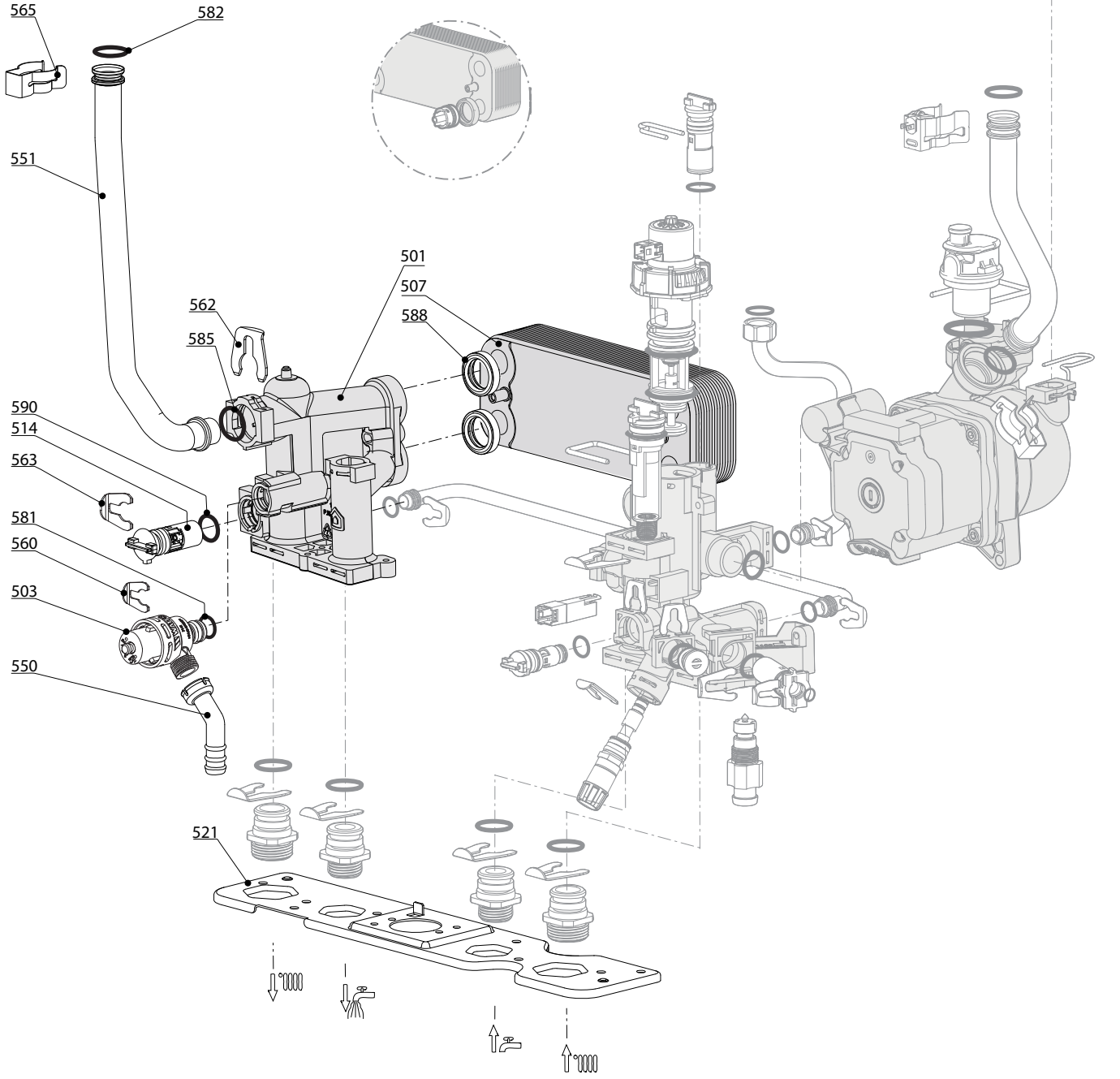
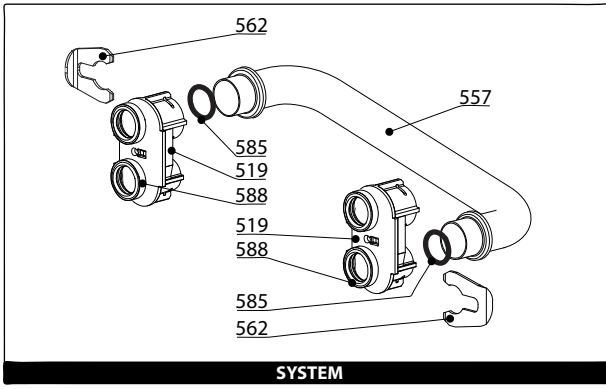
Gas-wall condensing boilers

1	3301058	ALTEAS ONE NET 24	07-2017	-
2	3301059	ALTEAS ONE NET 30	07-2017	-
3	3301060	ALTEAS ONE NET 35	07-2017	-
4	3301018	GENUS ONE 24	07-2017	-
4	3301113	GENUS ONE NET 24	07-2017	-
5	3301019	GENUS ONE 30	07-2017	-
5	3301114	GENUS ONE NET 30	07-2017	-
6	3301020	GENUS ONE 35	07-2017	-
6	3301115	GENUS ONE NET 35	07-2017	-
7	3301025	GENUS ONE SYSTEM 12	07-2017	-
8	3301026	GENUS ONE SYSTEM 18	07-2017	-
9	3301027	GENUS ONE SYSTEM 24	07-2017	-
10	3301028	GENUS ONE SYSTEM 30	07-2017	-
11	3301029	GENUS ONE SYSTEM 35	07-2017	-

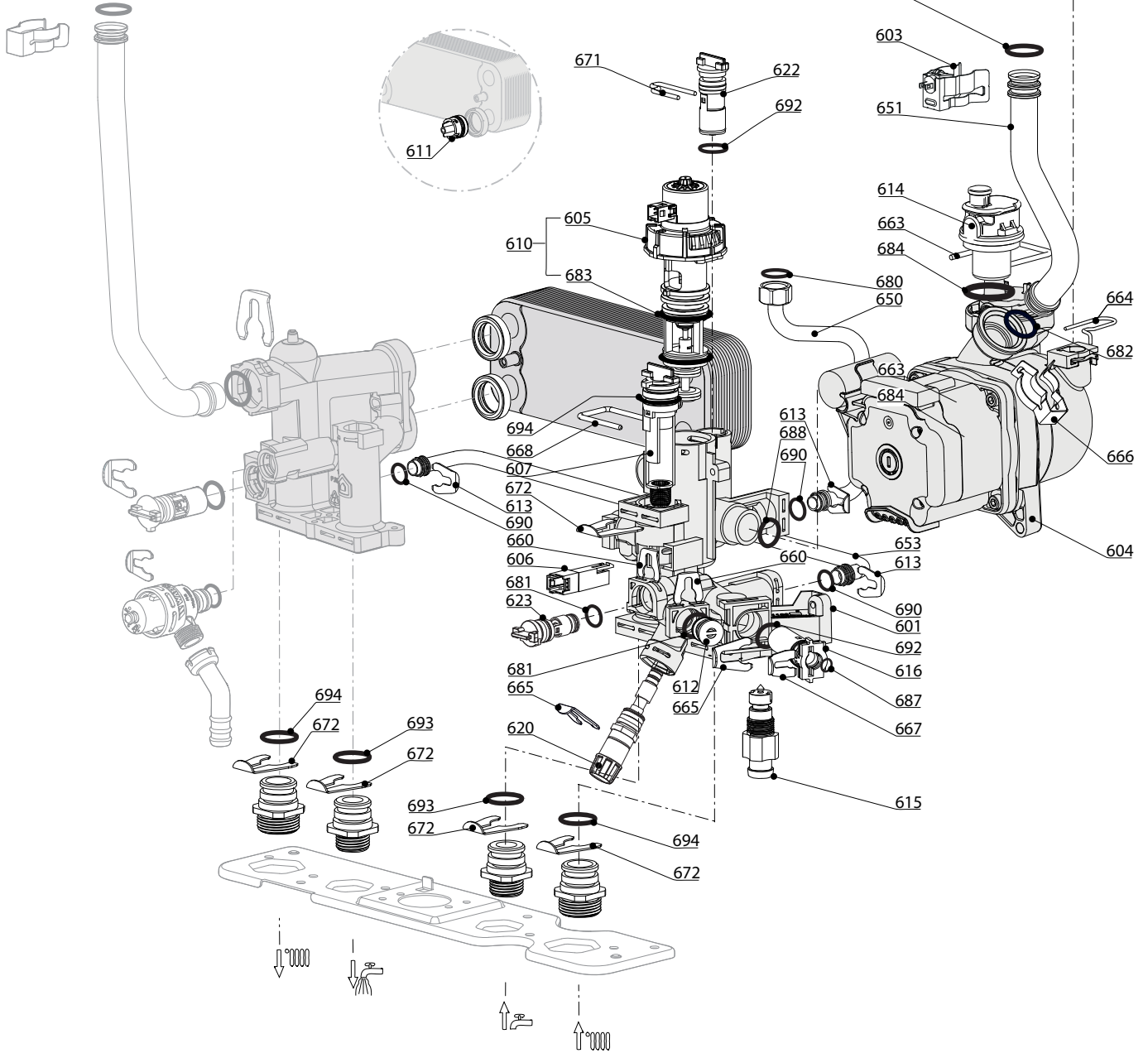
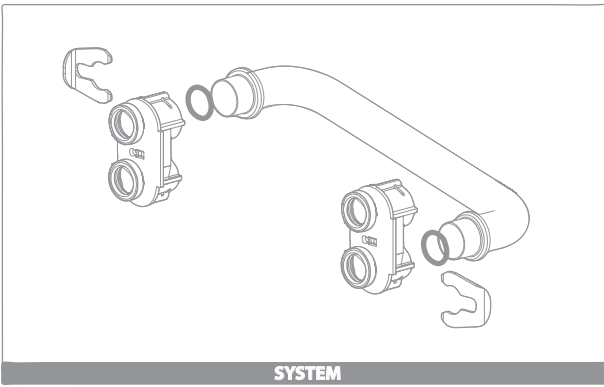
Col	Reference	Model type	Begin	End
-----	-----------	------------	-------	-----



Description	Manf. Pt N	Type	<div style="display: flex; justify-content: space-between; font-size: small;"> <span>ALTEA ONE 24</span> <span>ALTEA ONE 30</span> <span>ALTEA ONE 35</span> <span>GENUS ONE</span> <span>GENUS ONE (NET) 24</span> <span>GENUS ONE (NET) 30</span> <span>GENUS ONE (NET) 35</span> <span>GENUS ONE (ST) 12</span> <span>GENUS ONE (ST) 18</span> <span>GENUS ONE (ST) 24</span> <span>GENUS ONE (ST) 30</span> </div>																		From	to
			1	2	3	4	5	6	7	8	9	10	11	12	13	14	15	16	17	18		
<b>0100 BURNER ASSEMBLY</b>																						
0101 ЭЛЕКТРОДЫ РОЗЖИГА/ИОНИЗАЦИИ	65116556		●	●	●	●	●	●	●	●	●	●	●	●	●	●	●	●	●			
0110 ТЕПЛОИЗОЛЯЦИЯ (ПЕРЕДНЯЯ)	65116512		●	●	●	●	●	●	●	●	●	●	●	●	●	●	●	●	●			
0111 ТЕПЛООБМЕННИК 24KW	65116695-01		●			●			●	●	●											
ТЕПЛООБМЕННИК 30KW	65116696-01			●			●												●			
ТЕПЛООБМЕННИК 35KW	65116697-01				●			●											●			
0114 ГОРЕЛКА 24KW	65116514		●			●			●	●	●								●			
ГОРЕЛКА 30KW	65116561			●			●												●			
ГОРЕЛКА 35KW	65116573				●			●											●			
0116 КРЫШКА КАМЕРЫ СГОРАНИЯ	65116515		●	●	●	●	●	●	●	●	●	●	●	●	●	●	●	●	●			
0117 КОНДЕНСАТООТВОДЧИК	65117391		●	●	●	●	●	●	●	●	●	●	●	●	●	●	●	●	●			
0120 ТЕПЛОИЗОЛЯЦИЯ (ЗАДНЯЯ)	65116047		●	●	●	●	●	●	●	●	●	●	●	●	●	●	●	●	●			
0122 КЛИПСА	65116517		●	●	●	●	●	●	●	●	●	●	●	●	●	●	●	●	●			
0123 ВОЗДУХООТВОДЧИК	65116518		●	●	●	●	●	●	●	●	●	●	●	●	●	●	●	●	●			
0124 ДАТЧИК ТЕМПЕРАТУРЫ + КЛИПСА	990686-01		●	●	●	●	●	●	●	●	●	●	●	●	●	●	●	●	●			
0150 ТРУБКА КОНДЕНСАТООТВОДЧИКА D:19 L:500	60000976		●	●	●	●	●	●	●	●	●	●	●	●	●	●	●	●	●			
0151 ТРУБКА ГИБКАЯ	65116519		●	●	●	●	●	●	●	●	●	●	●	●	●	●	●	●	●			
0152 Y-СОЕДИНЕНИЕ + ТРУБКИ	65117078-01		●	●	●	●	●	●	●	●	●	●	●	●	●	●	●	●	●			
0171 ПРОКЛАДКА ГОРЕЛКИ	65116521		●	●	●	●	●	●	●	●	●	●	●	●	●	●	●	●	●			
0172 ПРОКЛАДКА ЭЛЕКТРОДА РОЗЖИГА	65116263		●	●	●	●	●	●	●	●	●	●	●	●	●	●	●	●	●			
0173 ПРОКЛАДКА КРЫШКИ КАМЕРЫ СГОРАНИЯ	60000623		●	●	●	●	●	●	●	●	●	●	●	●	●	●	●	●	●			
0178 O-КОЛЬЦО 17.86X2.62	61308091		●	●	●	●	●	●	●	●	●	●	●	●	●	●	●	●	●			
0179 O-КОЛЬЦО 18X2.8	65116846		●	●	●	●	●	●	●	●	●	●	●	●	●	●	●	●	●			
<b>0200 GAS SECTION</b>																						
0201 ГАЗОВЫЙ КЛАПАН	65116557		●	●	●	●	●	●	●	●	●	●	●	●	●	●	●	●	●			
0202 ВЕНТИЛЯТОР	65116558		●	●	●	●	●	●	●	●	●	●	●	●	●	●	●	●	●			
0208 ДИАФРАГМА ГАЗОВАЯ D:6.0 mm	65116562			●			●				●	●	●					●		02/19		
ДИАФРАГМА ГАЗОВАЯ D:5.6 mm	65116525		●				●				●	●	●					●		02/19		
ДИАФРАГМА ГАЗОВАЯ D:6.3 mm	65116575				●			●				●	●	●				●		02/19		
ДИАФРАГМА ГАЗОВАЯ D:3.3 mm	65116893										●							●		02/19		
0211 ТРУБКА ВЕНТУРИ	65116524		●	●	●	●	●	●	●	●	●	●	●	●	●	●	●	●	●		02/19	
ТРУБКА ВЕНТУРИ 25KW D:5.8 mm (60)	65118163		●				●				●	●	●					●		03/19		
ТРУБКА ВЕНТУРИ 30KW D:6.2 mm (63)	65118164			●			●					●	●	●				●		03/19		
ТРУБКА ВЕНТУРИ 35KW D:6.7 mm (67)	65118165				●			●				●	●	●				●		03/19		
0213 ШУМОГЛУШИТЕЛЬ 12 KW	65116816-01										●							●				
ШУМОГЛУШИТЕЛЬ 24-30 KW	65116526-01		●	●		●	●				●	●	●					●				
ШУМОГЛУШИТЕЛЬ 35 KW	65116576-01				●			●										●				
0214 ТРУБКА ПОДАЧИ ГАЗА 24KW	65116527		●				●				●	●	●					●				
ТРУБКА ПОДАЧИ ГАЗА 30KW	65116563			●				●				●	●	●				●				
ТРУБКА ПОДАЧИ ГАЗА 35KW	65116577				●			●				●	●	●				●				
0217 СН СОЕДИНЕНИЕ 3/4"	65114929		●	●	●	●	●	●	●	●	●	●	●	●	●	●	●	●	●			
0218 DWN СОЕДИНЕНИЕ 1/2"	65114930		●	●	●	●	●	●	●	●	●	●	●	●	●	●	●	●	●			
0223 ВИНТ ДЛЯ СЛИВА	65116528		●	●	●	●	●	●	●	●	●	●	●	●	●	●	●	●	●			
0261 КЛИПСА	65116529		●	●	●	●	●	●	●	●	●	●	●	●	●	●	●	●	●			
0271 ПРОКЛАДКА ВЕНТИЛЯТОРА	65116530		●	●	●	●	●	●	●	●	●	●	●	●	●	●	●	●	●			
0282 ПЛОСКАЯ ПРОКЛАДКА D:24-18.2-1.5	60022835-01		●	●	●	●	●	●	●	●	●	●	●	●	●	●	●	●	●			
0283 O-КОЛЬЦО 17.86X2.62	60002766		●	●	●	●	●	●	●	●	●	●	●	●	●	●	●	●	●			
0286 O-КОЛЬЦО 165 NBR 70 Sh 61.91x3,53	60001878		●	●	●	●	●	●	●	●	●	●	●	●	●	●	●	●	●			
<b>0300 FAN ASSEMBLY</b>																						
0310 ВЕРХНЯЯ КРЫШКА КОРПУСА	65116531		●				●				●	●	●					●				
ВЕРХНЯЯ КРЫШКА КОРПУСА	65116564			●	●			●			●	●	●					●				
0312 ЗАГЛУШКА ШТУЦ-ОВ АНАЛИЗА ДЫМ. ГАЗОВ	65104295		●	●	●	●	●	●	●	●	●	●	●	●	●	●	●	●	●			
0315 ПОДДОН ДЛЯ СБОРА КОНДЕНСАТА	65119783		●	●	●	●	●	●	●	●	●	●	●	●	●	●	●	●	●			
0370 УПЛОТНИТЕЛЬНОЕ КОЛЬЦО 80 mm	60002815-01		●	●	●	●	●	●	●	●	●	●	●	●	●	●	●	●	●			
0371 ПРОКЛАДКА	60000316		●	●	●	●	●	●	●	●	●	●	●	●	●	●	●	●	●			
<b>0400 SEALED CASE</b>																						
0401 РАСШИРИТЕЛЬНЫЙ БАК 8Л	65104261		●	●	●	●	●	●	●	●	●	●	●	●	●	●	●	●	●			
0415 ПАНЕЛЬ КОРПУСА (ЛЕВАЯ + ПРАВАЯ)	65117304					●					●	●	●					●				
ПАНЕЛЬ КОРПУСА (ЛЕВАЯ + ПРАВАЯ)	65117305		●															●				
ПАНЕЛЬ КОРПУСА (ЛЕВАЯ + ПРАВАЯ)	65117306							●	●									●				
ПАНЕЛЬ КОРПУСА (ЛЕВАЯ + ПРАВАЯ)	65117307			●	●													●				
0417 ПАНЕЛЬ КОРПУСА (ПЕРЕДНЯЯ)	65116533		●	●	●													●				
ПАНЕЛЬ КОРПУСА (ПЕРЕДНЯЯ)	65116568				●	●	●	●	●	●	●	●	●	●	●	●	●	●	●			
0420 КРОНШТЕЙН РАСШИРИТЕЛЬНОГО БАКА	65116534		●	●	●	●	●	●	●	●	●	●	●	●	●	●	●	●	●			
0423 ОСНОВАНИЕ КОТЛА 18-24 KW	65116535		●				●				●	●	●					●		10/19		
ОСНОВАНИЕ КОТЛА 18-24 KW	65119835		●				●				●	●	●					●		11/19		
ОСНОВАНИЕ КОТЛА 30-35KW	65116566			●	●		●	●				●	●	●				●		10/19		
ОСНОВАНИЕ КОТЛА 30-35KW	65119836			●	●		●	●					●	●				●		11/19		



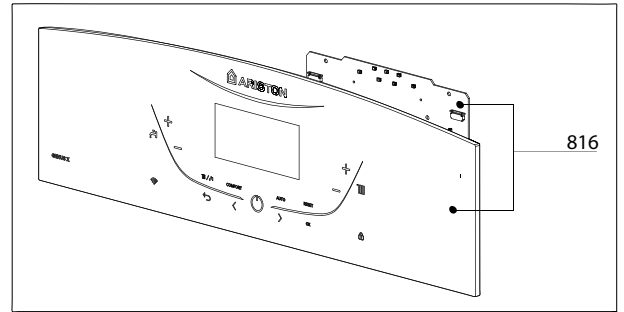
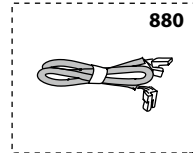
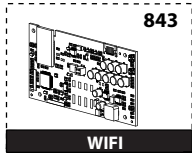
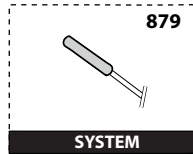
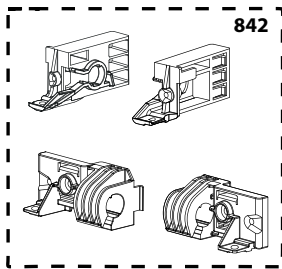
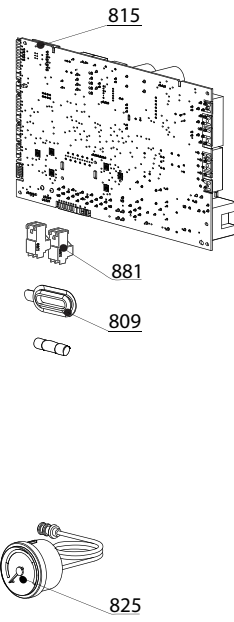
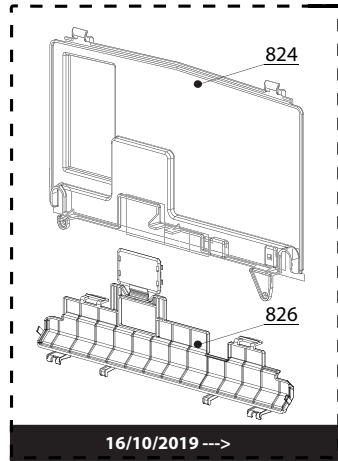
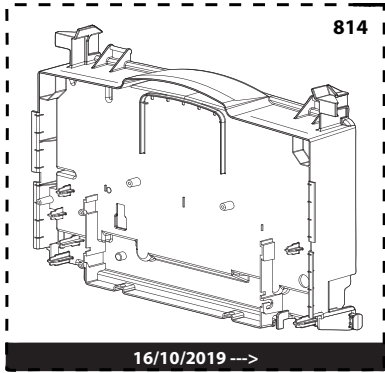
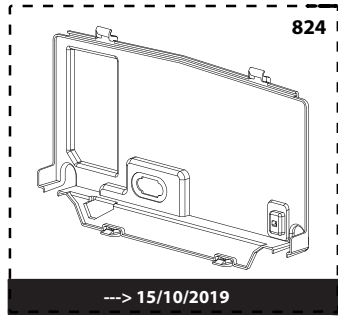
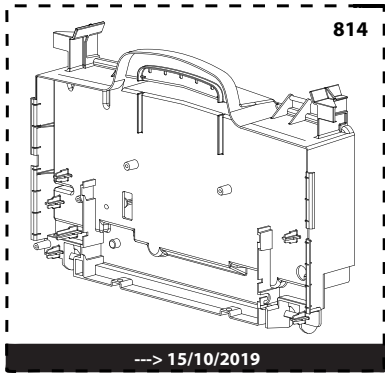
☉⇒	Description	Manf. Pt. N	Type	ALTEAS ONE 24 ALTEAS ONE 30 ALTEAS ONE 35 GENUS ONE GENUS ONE (NET) 24 GENUS ONE (NET) 30 GENUS ONE (NET) 35 GENUS ONE (ST) 12 GENUS ONE (ST) 18 GENUS ONE (ST) 24 GENUS ONE (ST) 30 GENUS ONE (ST) 35																		From	to
				1	2	3	4	5	6	7	8	9	10	11	12	13	14	15	16	17	18		
<b>0500</b>	<b>FLOW GROUP</b>																						
0501	ГРУППА ПОДАЧИ	65115933		●	●	●	●	●	●													06/18	
	ГРУППА ПОДАЧИ	65115933								●	●	●	●	●									
	ГРУППА ПОДАЧИ	65117952		●	●	●	●	●	●												07/18		
0503	ПРЕДОХРАНИТЕЛЬНЫЙ КЛАПАН (3 БАРА)	61312668		●	●	●	●	●	●	●	●	●	●	●									
0507	ТЕПЛООБМЕННИК ГВС (16 ПЛАСТИН)	65116537		●	●	●	●	●	●														
0514	БАЙПАС	65114917		●	●	●	●	●	●														
0519	ПЕРЕХОДНИК 'SYSTEM +' OPEN	60001365								●	●	●	●	●									
0521	ОСНОВАНИЕ ГИДРАВЛИЧЕСКОЙ ГРУППЫ	65119440		●	●	●	●	●	●	●	●	●	●	●	●	●	●	●	●	●			
0550	ПАТРУБОК ПРЕДОХРАНИТЕЛЬНОГО КЛАПАНА	60001955		●	●	●	●	●	●	●	●	●	●	●	●	●	●	●	●	●			
0551	ТРУБКА ПОДАЧИ ТЕПЛОНОСИТЕЛЯ 24KW	65116539		●				●			●	●	●										
	ТРУБКА ПОДАЧИ ТЕПЛОНОСИТЕЛЯ 30KW	65120089			●			●	●											●			
	ТРУБКА ПОДАЧИ ТЕПЛОНОСИТЕЛЯ 35KW	65116578				●				●										●			
0557	ТРУБКА (D.H.W.RETURN)	65115935								●	●	●	●	●	●	●	●	●	●	●			
0560	КЛИПСА D:10	65114933		●	●	●	●	●	●	●	●	●	●	●	●	●	●	●	●	●			
0562	КЛИПСА D:18	65104259		●	●	●	●	●	●	●	●	●	●	●	●	●	●	●	●	●			
0563	КЛИПСА D:12	65114932		●	●	●	●	●	●	●	●	●	●	●	●	●	●	●	●	●			
0565	КЛИПСА	60000309		●	●	●	●	●	●	●	●	●	●	●	●	●	●	●	●	●			
0581	O-КОЛЬЦО 17.96X2.62	65104337		●	●	●	●	●	●	●	●	●	●	●	●	●	●	●	●	●			
0582	O-КОЛЬЦО 17.86X2.62	61308091		●	●	●	●	●	●	●	●	●	●	●	●	●	●	●	●	●			
0585	O-КОЛЬЦО 17.04X3.53	65104262		●	●	●	●	●	●	●	●	●	●	●	●	●	●	●	●	●			
0588	ПРОКЛАДКА ТЕПЛООБМЕННИКА	65114928		●	●	●	●	●	●	●	●	●	●	●	●	●	●	●	●	●			
0590	O-КОЛЬЦО 11.91X2.62	65114940		●	●	●	●	●	●	●	●	●	●	●	●	●	●	●	●	●			



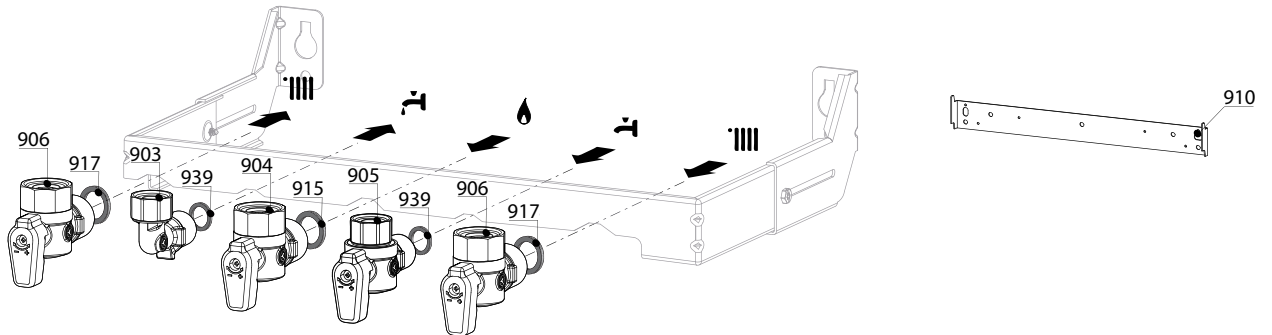
☉⇒	Description	Manf. Pt. N	Type	<div style="display: flex; justify-content: space-between; font-size: 8px; text-align: center;"> <span>ALTEA ONE 24</span> <span>ALTEA ONE 30</span> <span>ALTEA ONE 35</span> <span>GENUS ONE</span> <span>GENUS ONE (NET) 24</span> <span>GENUS ONE (NET) 30</span> <span>GENUS ONE (NET) 35</span> <span>GENUS ONE S1</span> <span>GENUS ONE S1 12</span> <span>GENUS ONE S1 18</span> <span>GENUS ONE S1 24</span> <span>GENUS ONE S1 30</span> <span>GENUS ONE S1 35</span> </div>																		 <b>31</b>	
				1	2	3	4	5	6	7	8	9	10	11	12	13	14	15	16	17	18	From	to
<b>0600</b>	<b>RETURN GROUP</b>																						
0601	ГРУППА ВОЗВРАТА	65119770-01		●	●	●	●	●												07/18			
	ГРУППА ВОЗВРАТА	65119772-01							●	●	●	●											
	ГРУППА ВОЗВРАТА	65120137		●	●	●	●	●													06/18		
0602	ДАТЧИК ДАВЛЕНИЯ	65115793		●	●	●	●	●	●	●	●	●	●	●	●	●	●	●	●				
0603	ДАТЧИК ТЕМПЕРАТУРЫ + КЛИПСА	990686-01		●	●	●	●	●	●	●	●	●	●	●	●	●	●	●	●				
0604	НАСОС 5М РWM ТАСО	65116908-03	TACO	●	●	●	●	●	●	●	●	●	●	●	●	●	●	●	●				
0605	МОТОР 3-Х ХОДОВОГО КЛАПАНА	65114936		●	●	●	●	●	●	●	●	●	●	●	●	●	●	●	●				
0606	ДАТЧИК ПРОТОКА (ГЕРКОН)	65114921-01		●	●	●	●	●	●	●	●	●	●	●	●	●	●	●	●				
0607	ДАТЧИК ПРОТОКА (ПОПЛАВОК)	65114919		●	●	●	●	●	●	●	●	●	●	●	●	●	●	●	●				
0610	3-Х ХОДОВОЙ КЛАПАН + МОТОР (KIT)	65114924		●	●	●	●	●	●	●	●	●	●	●	●	●	●	●	●				
0611	ОГРАНИЧИТЕЛЬ ПРОТОКА (KIT)	65116836		●	●	●	●	●	●	●	●	●	●	●	●	●	●	●	●				
0612	ЗАГЛУШКА	65114920		●	●	●	●	●	●	●	●	●	●	●	●	●	●	●	●				
0613	КЛИПСА D:10	65104260		●	●	●	●	●	●	●	●	●	●	●	●	●	●	●	●				
0614	АВТОМАТ. ВОЗДУХООТВОДЧИК PANASONIC	65116392	PANA.	●	●	●	●	●	●	●	●	●	●	●	●	●	●	●	●				
	АВТОМАТ. ВОЗДУХООТВОДЧИК TACO ENER+	65112086	TACO	●	●	●	●	●	●	●	●	●	●	●	●	●	●	●	●				
0615	КРАН ДЛЯ СЛИВА	65114922		●	●	●	●	●	●	●	●	●	●	●	●	●	●	●	●				
0616	ВОДЯНОЙ ФИЛЬТР	65114923		●	●	●	●	●	●	●	●	●	●	●	●	●	●	●	●				
0620	КРАН ПОДПИТКИ (KIT)	65119771		●	●	●	●	●	●	●	●	●	●	●	●	●	●	●	●				
0622	БАЙПАС	65114917		●	●	●	●	●	●	●	●	●	●	●	●	●	●	●	●				
0623	ОБРАТНЫЙ КЛАПАН	65114918-01		●	●	●	●	●	●	●	●	●	●	●	●	●	●	●	●				
0650	ТРУБКА РАСШИРИТЕЛЬНОГО БАКА	65116542		●	●	●	●	●	●	●	●	●	●	●	●	●	●	●	●				
0651	ТРУБКА ВОЗВРАТА ТЕПЛОНОСИТЕЛЯ	65116543		●	●	●	●	●	●	●	●	●	●	●	●	●	●	●	●				
0653	ПАТРУБОК БАЙПАСА	65116210		●	●	●	●	●	●	●	●	●	●	●	●	●	●	●	●		06/18		
	ПАТРУБОК БАЙПАСА	65116210							●	●	●	●	●	●	●	●	●	●					
0660	КЛИПСА D:10	65114933		●	●	●	●	●	●	●	●	●	●	●	●	●	●	●	●				
0663	U-КЛИПСА	65104704		●	●	●	●	●	●	●	●	●	●	●	●	●	●	●	●				
0664	КЛИПСА	65104322		●	●	●	●	●	●	●	●	●	●	●	●	●	●	●	●				
0665	КЛИПСА D:12	65114932		●	●	●	●	●	●	●	●	●	●	●	●	●	●	●	●				
0666	КЛИПСА	60000309		●	●	●	●	●	●	●	●	●	●	●	●	●	●	●	●				
0667	КЛИПСА D:6	65100680		●	●	●	●	●	●	●	●	●	●	●	●	●	●	●	●				
0668	КЛИПСА	65114927		●	●	●	●	●	●	●	●	●	●	●	●	●	●	●	●				
0671	КЛИПСА	65114926		●	●	●	●	●	●	●	●	●	●	●	●	●	●	●	●				
0672	КЛИПСА D:19	65114931		●	●	●	●	●	●	●	●	●	●	●	●	●	●	●	●				
0680	ПРОКЛАДКА 3/8"	573521		●	●	●	●	●	●	●	●	●	●	●	●	●	●	●	●				
0681	O-КОЛЬЦО 9.9X2.62	65114937		●	●	●	●	●	●	●	●	●	●	●	●	●	●	●	●				
0682	O-КОЛЬЦО 17.04X3.53	65104262		●	●	●	●	●	●	●	●	●	●	●	●	●	●	●	●				
0683	O-КОЛЬЦО 23.47X2.62	65114939		●	●	●	●	●	●	●	●	●	●	●	●	●	●	●	●				
0684	O-КОЛЬЦО 3X35 EPDM 75 SH	65104705		●	●	●	●	●	●	●	●	●	●	●	●	●	●	●	●				
0687	O-КОЛЬЦО 5.7X1.9	61009834-10		●	●	●	●	●	●	●	●	●	●	●	●	●	●	●	●				
0688	O-КОЛЬЦО 21.89X2.62	65104320		●	●	●	●	●	●	●	●	●	●	●	●	●	●	●	●				
0690	O-КОЛЬЦО 8.9X2.7	61009834-14		●	●	●	●	●	●	●	●	●	●	●	●	●	●	●	●				
0691	O-КОЛЬЦО 17.86X2.62	61308091		●	●	●	●	●	●	●	●	●	●	●	●	●	●	●	●				
0692	O-КОЛЬЦО 11.91X2.62	65114940		●	●	●	●	●	●	●	●	●	●	●	●	●	●	●	●				
0693	O-КОЛЬЦО 15.88X2.62	65114941		●	●	●	●	●	●	●	●	●	●	●	●	●	●	●	●				
0694	O-КОЛЬЦО 17.13X2.62	65114938		●	●	●	●	●	●	●	●	●	●	●	●	●	●	●	●				



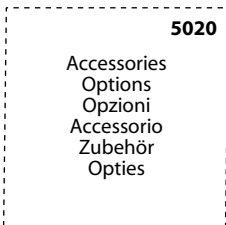
800



900



5000





☉⇒	Description	Manf. Pt. N	Type	<div style="display: flex; justify-content: space-between; font-size: 8px; text-align: center;"> <span>ALTEA ONE 24</span> <span>ALTEA ONE 30</span> <span>ALTEA ONE 35</span> <span>GENUS ONE</span> <span>GENUS ONE (NET) 24</span> <span>GENUS ONE (NET) 30</span> <span>GENUS ONE (NET) 35</span> <span>GENUS ONE S1 S1 12</span> <span>GENUS ONE S1 S1 18</span> <span>GENUS ONE S1 S1 24</span> <span>GENUS ONE S1 S1 30</span> <span>GENUS ONE S1 S1 35</span> </div>																		From	to
				1	2	3	4	5	6	7	8	9	10	11	12	13	14	15	16	17	18		
<b>0800</b>	<b>ELECTRICAL BOX</b>																						
0809	ЗАГЛУШКА (PCD TOOL ACCESS)	998382		●	●	●	●	●	●	●	●	●	●	●	●	●	●	●	●		10/19		
0814	КОРПУС БЛОКА УПРАВЛЕНИЯ (FRONT)	65116544		●	●	●	●	●	●	●	●	●	●	●	●	●	●	●	●		10/19		
	КОРПУС БЛОКА УПРАВЛЕНИЯ (FRONT)	65119642		●	●	●	●	●	●	●	●	●	●	●	●	●	●	●	●	11/19			
0815	ОСНОВНАЯ ПЛАТА	65116545-04		●	●	●	●	●	●	●	●	●	●	●	●	●	●	●	●				
0816	ПЛАТА ДИСПЛЕЯ	65116788-03		●	●	●	●	●	●	●	●	●	●	●	●	●	●	●	●				
	ПЛАТА ДИСПЛЕЯ	65116789-03		●	●	●	●	●	●	●	●	●	●	●	●	●	●	●	●				
0824	КОРПУС БЛОКА УПРАВЛЕНИЯ (REAR)	65119643		●	●	●	●	●	●	●	●	●	●	●	●	●	●	●	●	11/19			
	КОРПУС БЛОКА УПРАВЛЕНИЯ (REAR)	65116547		●	●	●	●	●	●	●	●	●	●	●	●	●	●	●	●		10/19		
0825	МАНОМЕТР (0-4 БАР)	65114200		●	●	●	●	●	●	●	●	●	●	●	●	●	●	●	●				
0826	КОРПУС БЛОКА УПРАВЛЕНИЯ (LOWER PART)	65119736		●	●	●	●	●	●	●	●	●	●	●	●	●	●	●	●	11/19			
0842	ПЕТЛЯ КОРПУСА БЛОКА УПРАВЛЕНИЯ	65119641		●	●	●	●	●	●	●	●	●	●	●	●	●	●	●	●				
0843	ПЛАТА WI-FI (WIFI-REM4)	65120352		●	●	●	●	●	●	●	●	●	●	●	●	●	●	●	●				
0879	ДАТЧИК БОЙЛЕРА	60000454		●	●	●	●	●	●	●	●	●	●	●	●	●	●	●	●				
0880	КАБЕЛЬ 3-Х ХОДОВОГО КЛАПАНА	65116584		●	●	●	●	●	●	●	●	●	●	●	●	●	●	●	●				
	КАБЕЛЬ 3-Х ХОДОВОГО КЛАПАНА	65116815		●	●	●	●	●	●	●	●	●	●	●	●	●	●	●	●				
	КАБЕЛЬ ВЕНТИЛЯТОРА	65116579		●	●	●	●	●	●	●	●	●	●	●	●	●	●	●	●				
	КАБЕЛЬ ЭЛЕКТРОДА РОЗЖИГА	65116583		●	●	●	●	●	●	●	●	●	●	●	●	●	●	●	●				
	КАБЕЛЬ ДИСПЛЕЯ	60000746		●	●	●	●	●	●	●	●	●	●	●	●	●	●	●	●				
	КАБЕЛЬ ЗАЗЕМЛЕНИЯ	65104286		●	●	●	●	●	●	●	●	●	●	●	●	●	●	●	●				
	КАБЕЛЬ ПИТАНИЯ 240V	60001619		●	●	●	●	●	●	●	●	●	●	●	●	●	●	●	●				
	КАБЕЛЬ ГАЗОВОГО КЛАПАНА	65116580		●	●	●	●	●	●	●	●	●	●	●	●	●	●	●	●				
	КАБЕЛЬ ДАТЧИКА ТЕМПЕРАТУРЫ NTC	65116717		●	●	●	●	●	●	●	●	●	●	●	●	●	●	●	●				
	КАБЕЛЬ НАСОСА HE	65117069		●	●	●	●	●	●	●	●	●	●	●	●	●	●	●	●				
	КАБЕЛЬ ПЛАТЫ WI-FI	65115826		●	●	●	●	●	●	●	●	●	●	●	●	●	●	●	●				
0881	КОННЕКТОР 2P	65111933		●	●	●	●	●	●	●	●	●	●	●	●	●	●	●	●				
	КОННЕКТОР 3P (x5)	65111934-01		●	●	●	●	●	●	●	●	●	●	●	●	●	●	●	●				
<b>0900</b>	<b>JIG PLATE &amp; PIPE FITTING</b>																						
0903	ПАТРУБОК ГВС	60000891		●	●	●	●	●	●	●	●	●	●	●	●	●	●	●	●				
0904	КРАН ГАЗА	60000898		●	●	●	●	●	●	●	●	●	●	●	●	●	●	●	●				
0905	КРАН ХОЛОДНОЙ ВОДЫ	60000895		●	●	●	●	●	●	●	●	●	●	●	●	●	●	●	●				
0906	КРАН ПОДАЧИ/ВОЗВРАТА ТЕПЛОНОСИТЕЛЯ	60000885		●	●	●	●	●	●	●	●	●	●	●	●	●	●	●	●				
0910	КРОНШТЕЙН	60000625		●	●	●	●	●	●	●	●	●	●	●	●	●	●	●	●				
0915	ПРОКЛАДКА КРАНА ГАЗА	65119354		●	●	●	●	●	●	●	●	●	●	●	●	●	●	●	●				
0917	ПЛОСКАЯ ПРОКЛАДКА D:24-17-1.5	60061855-19		●	●	●	●	●	●	●	●	●	●	●	●	●	●	●	●				
0939	ПЛОСКАЯ ПРОКЛАДКА D:18.4-12.2-1.5	60061855-14		●	●	●	●	●	●	●	●	●	●	●	●	●	●	●	●				
<b>5000</b>	<b>ACCESSORIES</b>																						
5020	ОГРАНИЧИТЕЛЬ ПРОТОКА (KIT)	65116836		●	●	●	●	●	●	●	●	●	●	●	●	●	●	●	●				
	КОМНАТНЫЙ ДАТЧИК CUBE (KIT)	65116718-02		●	●	●	●	●	●	●	●	●	●	●	●	●	●	●	●				
	КОМНАТНЫЙ ДАТЧИК CUBE S NET (KIT)	65116700		●	●	●	●	●	●	●	●	●	●	●	●	●	●	●	●				

## LIST OF THE ABBREVIATIONS

HW .....	: Hot water.
CW .....	: Cold water.
C .....	: Ceramic resistance (normal heating).
Ca .....	: Ceramic resistance (accelerated heating)
TP .....	: Immersion heater.
1F .....	: With fittings.
2F .....	: Without fittings.
3F .....	: With fittings and another outlet connection.
AMI .....	: With mixing valve.
SMI .....	: Without mixing valve.
PUISS .....	: Power of th appliance.
PN .....	: Appliance with normal pression.
LP .....	: Appliance with low pression.
PV .....	: Appliance with variable power.
PF .....	: Appliance with fixed power.

## IDENTIFICATION PLATE

### SERIAL NUMBER

<b>10 Characters :</b>	04 05 125 011	Sequential number
		Manufacturing day
		Year of manufacture
<b>11 Characters :</b>	1 95 065004 - 31	Technical number of the appliance
Month of manufacture :		Sequential number
from 1 to 9 → Jan. to Sep.,		Year of manufacture
O → Oct., N → Nov.,		
D → Dec.		
<b>19 Characters :</b>	08 05 0013199 900640031	Product reference
Year of manufacture		Sequential number
Month of manufacture		
<b>20 Characters :</b>	3675007 XX 2 07 070 00315	Sequential number
Product reference		Manufacturing day
Millenium of manufacture		Year of manufacture
<b>21 Characters :</b>	3675007 XX 07 070 0000315	Sequential number
Product reference		Manufacturing day
Year of manufacture		